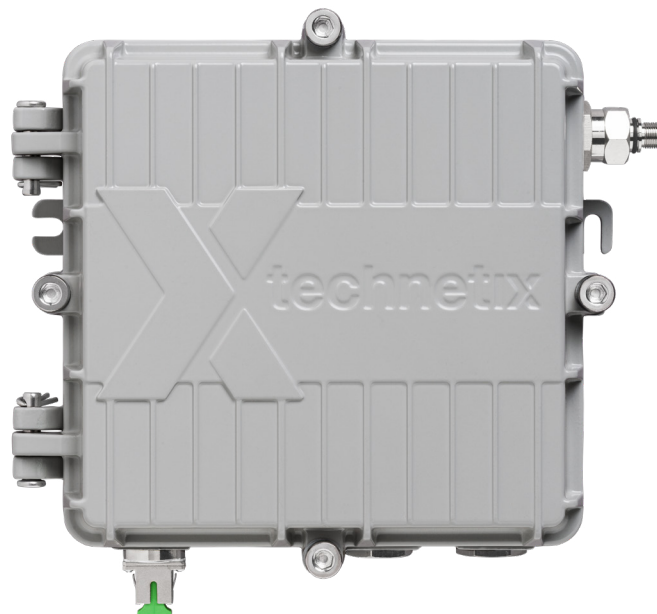


- **Single fibre operation using built-in WDM filter**
- **Wide optical range automatic gain control**
- **1.2 GHz frequency, output level up to 108 dB μ V (104 dB μ V with splitter)**
- **Pluggable duplex filter**
- **Professional electric control equalizer and attenuator**
- **Local LED interface for node alignment**



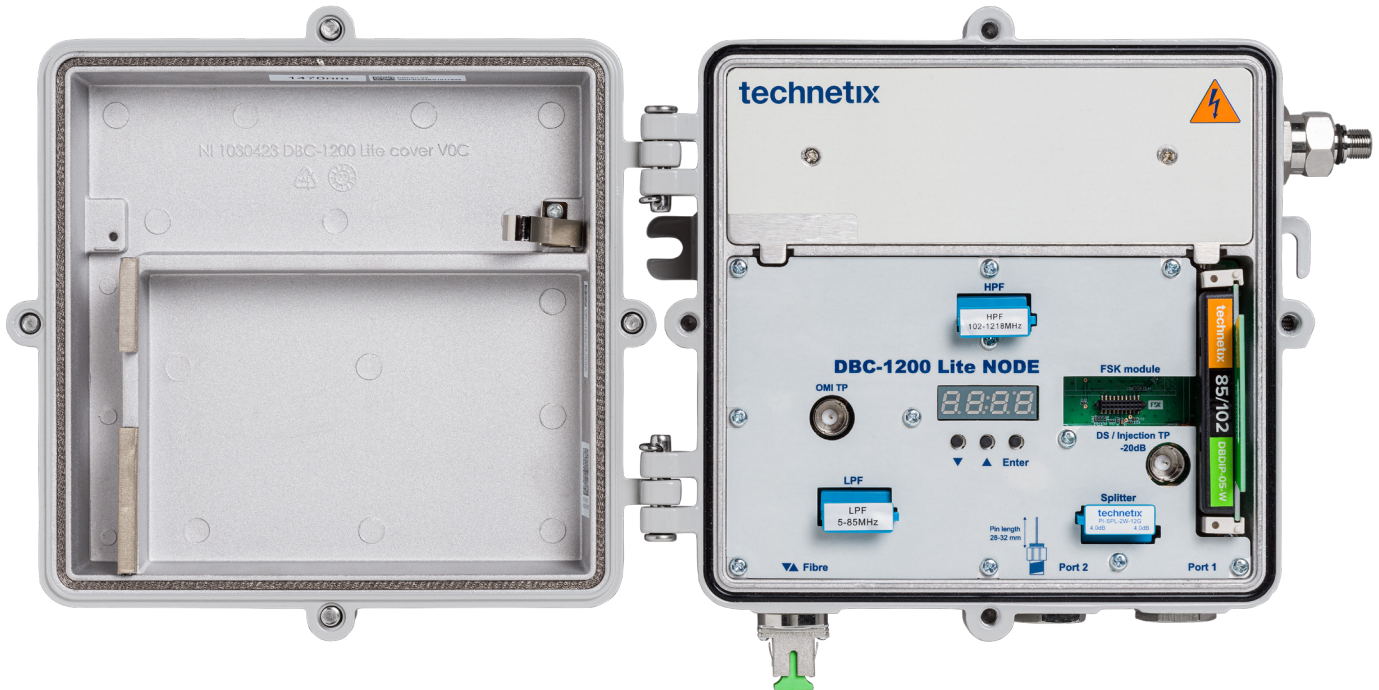
DBx Open Access Platform

Technetix has added the DBC-1200 Lite NODE to its DBx portfolio, giving operators the option to select a more cost-effective solution when modularity and flexibility are not a requirement. The DBC-1200 Lite NODE has a compact design that enables a fast plug-and-play installation process. All existing DBx plug-ins and accessories are compatible with the DBC-1200 Lite NODE. Configuring the device does not require any additional tools as an intuitive analog interface featuring a LED display and weather-proof buttons allows a fast and easy set up experience for installers.

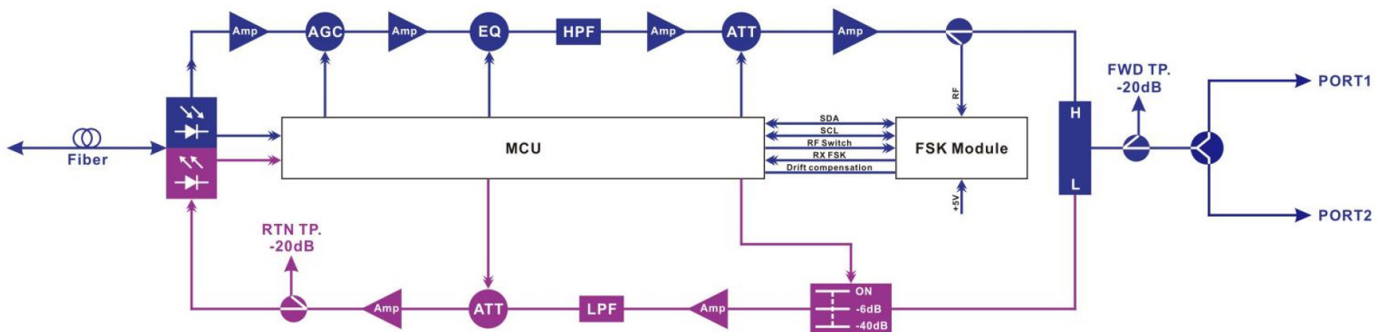
The compact DBC-1200 Lite NODE is using an integrated CWDM filter to support single fiber deployments. Several CWDM frequencies are supported to enable fast node splits. With the local LED display and configuration buttons the node can be aligned without the need for a laptop or mobile. The device's low power consumption reduces the carbon footprint in your network.

DBx smart RF amplifiers

DBC-1200 Lite NODE



Block diagram RF configuration



DBC-1200 Lite Node device and performance specifications

Forward path

	Lite Node	Units	Notes
Input wavelength	1540~1560	nm	
Frequency range	85/102/258 ~1218	MHz	
Optical AGC range	-7~+2	dBm	1
Output RF level	up to 108 (104 with splitter)	dB μ V	2
Return loss	18 dB	dB	3
Flatness in band	\pm 1.0	dB	
Inner stage attenuator	0~20	dB	4
Inner stage equalizer	0~15	dB	5
C/N	52	dB	6
C/CTB	60	dB	7
C/CSO	60	dB	
MER	>38 @Pin=-7 dBm	dB	8
BER (pre-FEC)	<1.00E-09	—	
Test point	-20 \pm 1.0	dB	

Reverse path

	Lite Node	Units	Notes
Frequency range	5~65/85/204	MHz	
Flatness in band	\pm 1.0	dB	
Return loss	18 dB	dB	3
Adjustable attenuator	0~20	dB	4
US injection test point	-20 \pm 1.0	dB	
OMI test point	4 \pm 1.0	dB	9
			10
Ingress detection switch levels	0/-6/-40	dB	
Optical output power	3 \pm 1	dBm	
Output wavelength CWDM	1470 1510 1590 1610	nm	11
NPR	20 @NPR> 40 dB	dB	12
	6 @NPR> 48 dB		

General specifications

	DBC-1200 Lite Node	Units	Notes
Optical connector	SC/APC	-	
Surge withstand	6	KV	13
ESD	4	KV	14
Test points	F-Male		
Operating voltage	35-65 VAC Sine wave, 42-90 VAC square wave, 110-230 VAC sine wave	V	15
Power consumption	High power mode 16.5 Low power mode 13	W	
Operating temperature	-10~50	°C	
Storage temperature	-20~65	°C	
Dimensions	215*196*70	mm	
Coaxial connections	PG11 or 5/8"		
Housing finish	Painted conductive chromate finish		
Impedance	75	Ω	
Equipment approval	CE/RoHS/FCC		

Notes

1	Configurable AGC levels (-5/-6/-7/-8~+2)	8	RF output >108 dBuV, 112ch 256QAM, EQ=9 dB
2	CENELEC 42ch, OMI=3.5%	9	5-65/85/204 MHz, input 0 dB JXP
3	@ 40 MHz - 1.5 dB/oct.	10	RF input port to OMI test point, R-ATT=0 dB
4	0.5 dB step	11	@25 °C
5	1 dB step	12	@RX Pin>-10 dBm
6	CENELEC 42ch, OMI=3.5%, EQ=9 dB,	13	RF PORTS
7	Pin=0 dBm, Pout>108 dBuV	14	Direct contact discharge
		15	Local and remote powering options

Order information

Item code	Description
19014768	DBC-1200LN Node T1470M1550 SF SCAPC85/102MHz 230VAC
19014767	DBC-1200LN Node T1470R1550 SF SCAPC85/102MHz 65VAC
19014770	DBC-1200LN Node T1470M1550 SF SCAPC204/258MHz 230VAC
19014769	DBC-1200LN Node T1470R1550 SF SCAPC204/258MHz 65VAC
19014772	DBC-1200LN Node T1510M1550 SF SCAPC85/102MHz 230VAC
19014771	DBC-1200LN Node T1510R1550 SF SCAPC85/102MHz 65VAC
19014774	DBC-1200LN Node T1510M1550 SF SCAPC204/258MHz 230VAC
19014773	DBC-1200LN Node T1510R1550 SF SCAPC204/258MHz 65VAC
19014776	DBC-1200LN Node T1590M1550 SF SCAPC85/102MHz 230VAC
19014775	DBC-1200LN Node T1590R1550 SF SCAPC85/102MHz 65VAC
19014778	DBC-1200LN Node T1590M1550 SF SCAPC204/258MHz 230VAC
19014777	DBC-1200LN Node T1590R1550 SF SCAPC204/258MHz 65VAC
19014780	DBC-1200LN Node T1610M1550 SF SCAPC85/102MHz 230VAC
19014779	DBC-1200LN Node T1610R1550 SF SCAPC85/102MHz 65VAC
19014782	DBC-1200LN Node T1610M1550 SF SCAPC204/258MHz 230VAC
19014781	DBC-1200LN Node T1610R1550 SF SCAPC204/258MHz 65VAC