

# AIMA-RFSW



- Plug-and-play AIMA3000 platform module
- Forward-path version (5 MHz to 1000 MHz) suits CENELEC and NTSC up to 127 channels (both analogue and digital)
- High reliability, compact design
- Operates in AUTO or MANUAL mode
- Operator defined adjustable thresholds for both inputs with the maximum and minimum signal parameters
- Comprehensive remote monitoring
- Configurable alarm threshold levels
- Fully FCC, CE, and RCM compliant

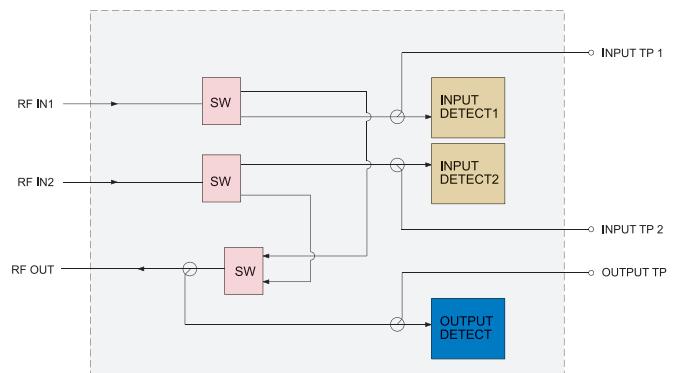
## Overview

The RF A/B Protection Switch (RFSW) is designed to plug into the latest generation Advanced Intelligent Multi-services Access platform - the AIMA3000.

Providing reliable radio signal stability, the RFSW is an RF-based switching device designed for automatic or manual switching of radio signals. It maintains the RF output in the event of a loss or degraded signal of one of the two signals connected to its inputs.

Engineered for high-isolation, the impedance-matched RF switch relay, is controlled by microcontroller-based logic circuits. This intelligent microcontroller manages the switch based on the detection of RF input signal levels. In addition, the switch can operate based on user-defined minimum and maximum RF threshold levels. The RFSW switching module provides self-monitoring and communicates with the ASMM (AIMA3000 System Management Module) within the AIMA3000 chassis.

## Block diagram



## Specifications

### RF Performance

<b>RF bandwidth</b>	5 MHz to 1000MHz
<b>RF flatness</b>	± 0.5 dB (45 MHz to 1000MHz)
<b>Insertion loss</b>	2 dB maximum
<b>Isolation</b>	65 dB
<b>RF impedance</b>	75Ω
<b>RF return loss</b>	> 16 dB
<b>RF test point relative to RF output port</b>	-20 dB ± 1 dB
<b>RF connectors</b>	3 x GSK-type female
<b>RF test points</b>	3 x Mini-SMB
<b>Switching time</b>	< 15 ms
<b>Alarms and status</b>	Front-panel LEDs, SNMP Traps

### General

<b>Power supply</b>	Powered via AIMA3000 backplane
<b>Power consumption</b>	< 0.1 W
<b>Operating temperature</b>	-5 oC to +55 oC
<b>Storage temperature</b>	-25 oC to +70 oC
<b>Dimensions (WxDxH)</b>	24.6 x 410 x 152.5 mm
<b>Weight</b>	0.88 kg

© Copyright 2016 Technetix Group Limited. All rights reserved.

This document is for information only. Features and specifications are subject to change without notice. Technetix, the Technetix logo, Ingress Safe, Modem Safe and certain other marks and logos are trade marks or registered trade marks of Technetix Group Limited in the UK and certain other countries. Other brand and company names are trade marks of their respective owners. Technetix protects its technology and designs by registering patents, trade marks and designs in Europe and certain other countries.