

- Fibre tray will accept simplex and duplex fibre adaptors and manage the fibre cables
- Supplied with blanking plates on the sides, if the box is to be connected at a later time
- Will accept 20mm round trunking and 25 x 16 square trunking
- Compatible with CLICK50 blanking plates, fibre and isolator modules, all supplied separately. Refer to the CLICK50 platform guide for specifications

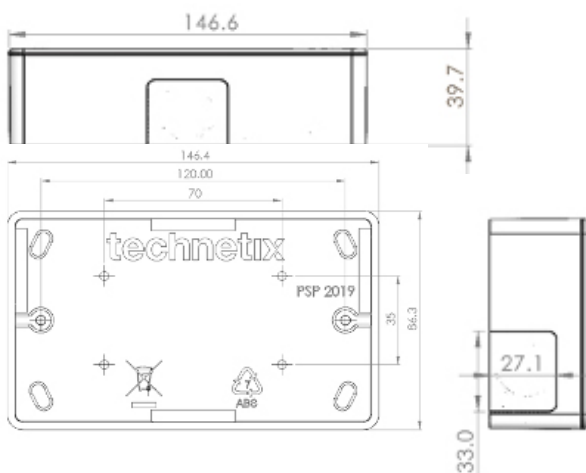


## Overview

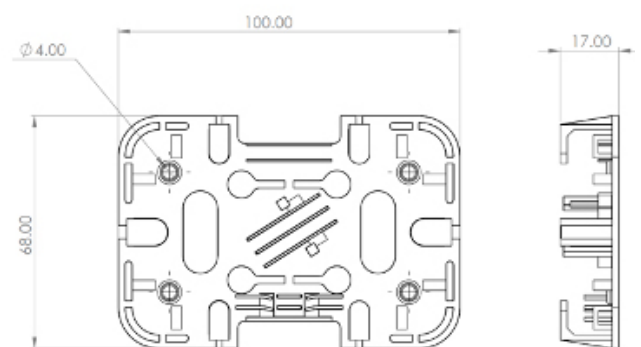
This box is used as a termination box for fibre installations in multi-dwelling units (MDUs). The unit is prepared for customer connection with pre-cabled fibre runs.

## Mechanical drawings

Base



Fibre tray

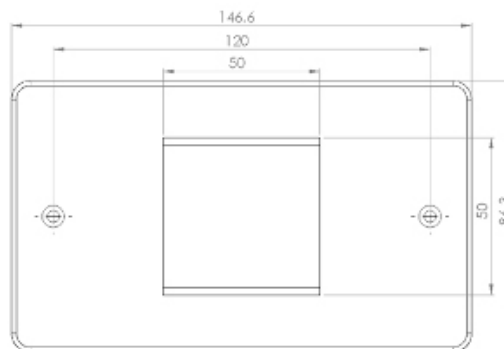


## Mechanical drawings cont.

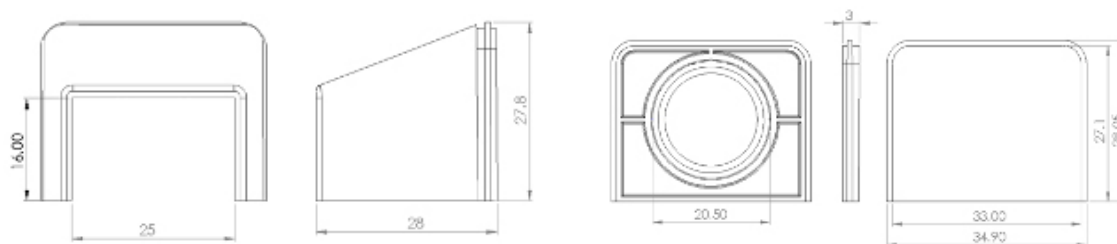
Lid for model 19012931



Lid for model 19012932



Inserts



## Characteristics

Part	Material	Finish
Back box and lid	ABS	Polished
Fibre tray	ABS/PP	Polished
M3.5 x 20 mm screw	Mild steel	BZP
Colour options	RAL-9003 - Signal white	

## Order information

Item code	Description
19012931	FIBRE BOX+SOLID LID+4/2 INSERTS+FIBRE TRAY
19012932	FIBRE BOX+HOLE LID+4/2 INSERTS+FIBRE TRAY