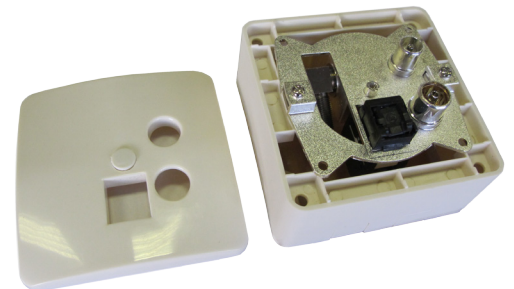


MPO-210



- **Combined radio/TV/data outlet**
- **Rotating input F-connector**
- **CPD Safe™ - NiSn plated F-connector, Phosphor bronze NiSn plated F-inner spring**
- **RJ-45 click-in clamp-mounting part**
- **Designed to fit on a regular, built-in back box**
- **Centre cover plate and frame in 'polar white' ABS (thermoplastic)**
- **Complies with EN Class A screening requirements**



Overview

Suitable for hybrid networks (coax/CATV), the MPO-210 is a single galvanic isolated, multimedia wall outlet with CATV outputs and an RJ-45 output designed to be used as a standard wall outlet. It fits onto typical built-in back boxes where the hybrid cable enters through the inlet at the bottom of the back box.

To ease installation, a rotating F-female connector is used for the cable input connection. The inner spring of this connector has been designed to accept coax cables with an inner conductor of between 0.56 mm and 1.3 mm. It retains this elasticity and provides effective clamping force even when varying thicknesses of inner conductor are connected in succession.

The MPO-210 has metal clamps at its sides for gripping and mounting inside built-in back boxes and the RJ-45 output is a click-in, clamp-mounting part.

CPD Safe

CPD (Common Path Distortion) is well known for producing signal interference on networks. It is caused by electrolytic corrosion or the oxidation of dissimilar metals when in close contact. The MPO-210 protects against CPD with its silver plated, zinc die-cast casing plus NiSn plated F-connector which ensures compatibility with the NiSn plated connector used on incoming cables.

- Removes a primary cause of CPD
- Reduces signal interference on the network
- Drives fewer reported faults
- Reduces truck rolls
- Improves customer service

EN Class A screening

- High frequency shielding used on this product meets Class A requirements (EN 50083 2 2006)

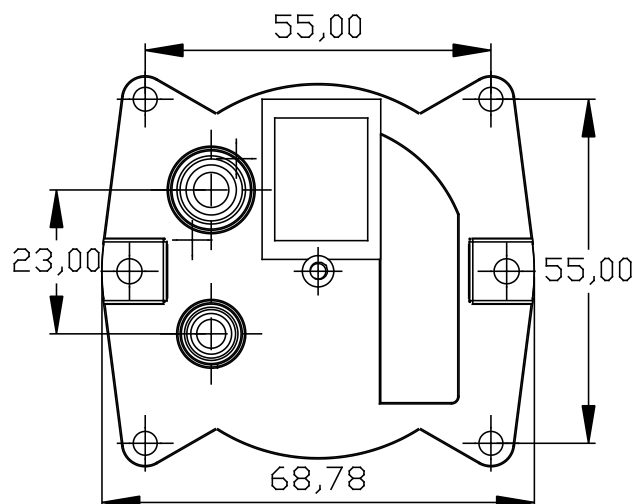
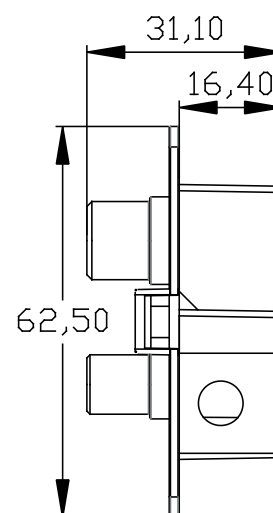
MPO-210

Specifications

		MHz	Min	Max
Insertion loss (dB) In->TV		5 - 60	50.0	
		60 - 65	40.0	
		118 - 1000	9.0	11.0
		88 - 108	9.0	11.0
Return loss (dB, min) Input		5 - 65	18.0	
		118 - 160	16.5	
		160 - 320	15.0	
		320 - 1000	14.0	
TV		118 - 160	16.5	
		160 - 320	15.0	
		320 - 1000	14.0	
		88 - 108	10.0	
Isolation (dB, min) TV->FM		88 - 108	20.0	
Screening efficiency (dB, typ). Minimum exceeds Class A.¹		5 - 30	95.0	
		30 - 300	95.0	
		300 - 470	90.0	
		470 - 950	85.0	
		950 - 1000	65.0	
Galvanic Isolation² 2120 VDC 230 VAC RMS @ 50/60 Hz	Inner (input) - Inner (output)		0.7 mA	
	Inner (input) - Inner (output)		2.0 mA	
Equipment approval	CE			
Material				
Housing	silver plated zinc die-cast			
Back lid	tin plated mild steel			
Rotating F-connector	NiSn plated brass			
F-inner contact	silver plated beryllium copper			
IEC inner contact	nickel plated brass			
IEC outer contact	gold plated beryllium copper			
RJ-45 self stripping contacts	1.3 µm gold			
Connectors				
Data	RJ-45 jack ISO 887 compliant AWG 26 to AWG 22			
Input ³	rotating F-female			
TV	IEC male			
FM	IEC female			
Impedance (Ω, typ)	75.0			

Remarks

- 1 Test methods for frequencies according to EN 50083-2 2006.
- 2 Tested according to EN 60728-11 2005
- 3 F-spring test pin acceptance 0.56mm min to 1.3mm max



Ordering information/Article number: 19002979

© Copyright 2011 Technetix Group Limited. All rights reserved.

This document is for information only. Features and specifications are subject to change without notice. Technetix, the Technetix logo, Ingress Safe, Modem Safe and certain other marks and logos are trade marks or registered trade marks of Technetix Group Limited in the UK and certain other countries. Other brand and company names are trade marks of their respective owners. Technetix protects its technology and designs by registering patents, trade marks and designs in Europe and certain other countries.